







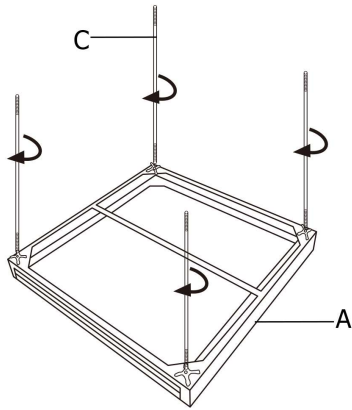
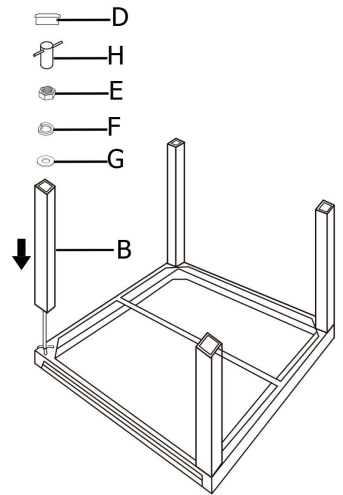


A		x 1
B		x 4
C		x 4
D		x 4
E		x 4
F	 M10x16mm	x 4
G	 M10x20mm	x 4
H		x 1

1



2



3

