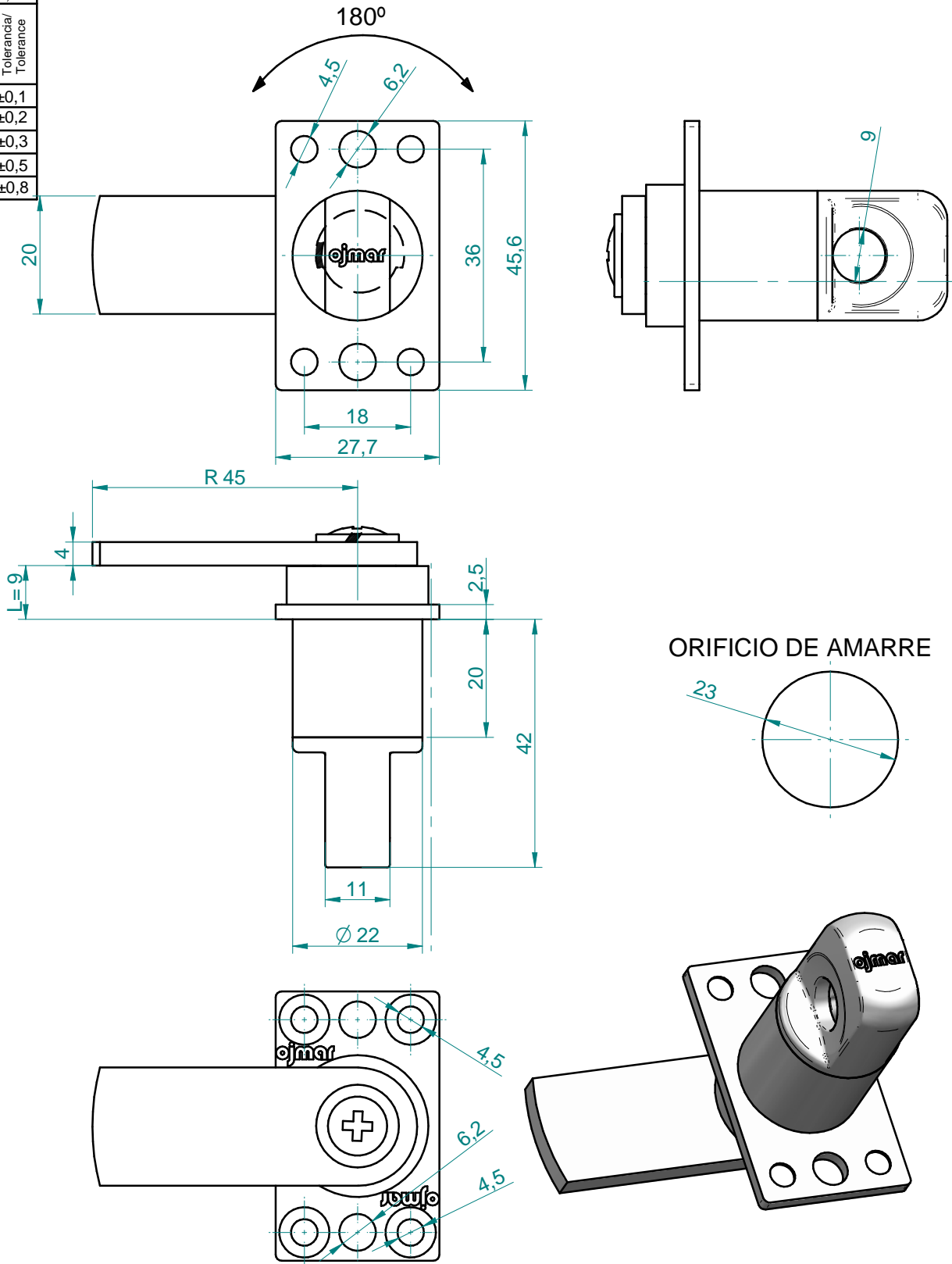


COTAS SIN TOLERANCIA/DIMS WITHOUT TOLERANCE (mm)		
Más de/Bigger than	hasta/up to	Tolerancia/Tolerance
0,5	6	±0,1
6	30	±0,2
30	120	±0,3
120	315	±0,5
315	1000	±0,8

Dibujado en cerrado



	Date	Name	Date	Name	Index	Modification
Drawn	28/08/2009	Sendin				
Checked	19/11/2013	Jokin	19-11-13	Jokin	02	Cambiar amarre a lengüeta

This document and its content is property of Ojmar and for strictly confidential use. Not to be copied or distributed to third parties without the permission of Ojmar.

ojmar	Part name	Reference	Edition	Scale
	CERRADURA DE CANDADO DERECHA	039.0D0045	02	1:1