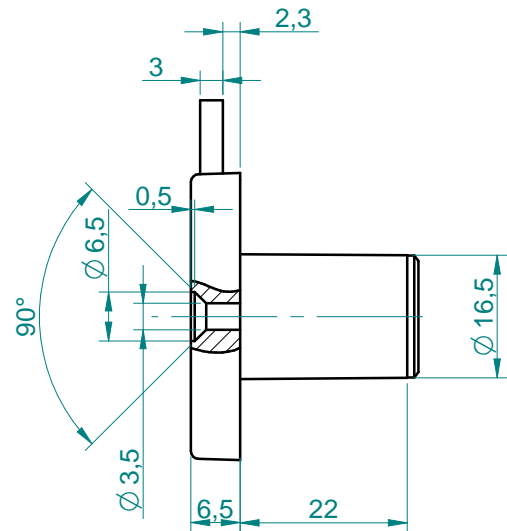
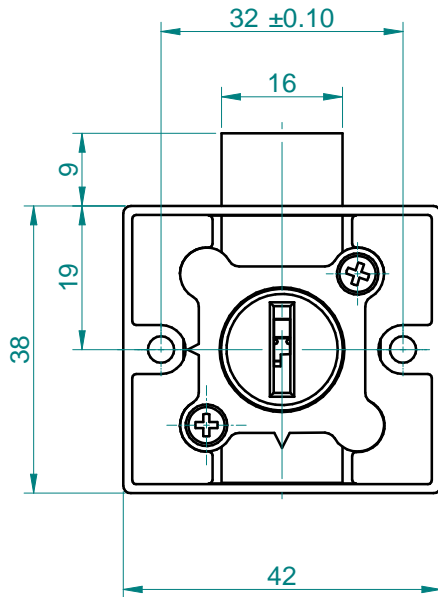


COTAS SIN TOLERANCIA/DIMS WITHOUT TOLERANCE (mm)		
Más de/Bigger than	hasta/up to	Tolerancia/Tolerance
0,5	6	±0,1
6	30	±0,2
30	120	±0,3
120	315	±0,5
315	1000	±0,8

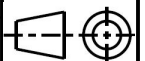


285816.221
385816.221
585816.221
285816.E12
385816.E12
585816.E12
285816.E18
385816.E18
585816.E18

	Date	Name	Date	Name	Index	Modification
Drawn	03/10/2005	Jon				
Checked						

This document and its content is property of Ojmar and for strictly confidential use. Not to be copied or distributed to third parties without the permission of Ojmar.

Material



ojmar	Part name	Reference	Edition	Scale
	CERRADURA 858 CAJON Ø16,5 L-22	285816.221	01	1:1